



## SP5600 OptimusR™

**The Metrologic OptimusR mobile computer provides a rugged solution for batch-data collection applications demanding warehouse and distribution center environments.**

With an IP rating of 65, OptimusR can take a slugging and keep on scanning.

This stylish and ergonomic mobile computer rapidly uploads and downloads data via the Direct Connection option which lowers cost of ownership by making a separate terminal cradle unnecessary.

OptimusR features easy navigation and software development tools that make customizing applications for even the toughest data-collection challenges a snap. Optimizer software allows for quick configuration of PDT programs.

OptimusR comes with 2MB of data memory (4MB & 8MB optional) for accommodating larger inventories. The Lithium-Ion rechargeable battery allows 200 hours of non-stop scanning operation which maximizes uptime and labor efficiency by eliminating the cost of replacement batteries.

OptimusR symbolizes Metrologic's increased efforts to expand its mobile computer product line. Metrologic will continue to develop products that enhance its hard-earned reputation for excellence.

With the OptimusR, dusty, damp warehouses never looked so inviting.

[www.metrologic.com](http://www.metrologic.com)

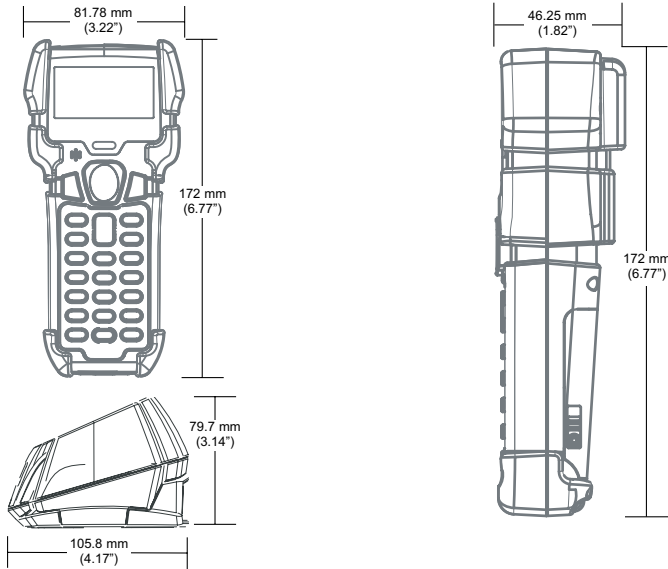


### FEATURES

- Plastic housing with integrated rubber
- IP65 Rated
- Rechargeable battery
- Optimizer Software Suite
- Ergonomic design with large, backlit keys

### BENEFITS

- Reinforced unit construction enhances durability
- Protection from harsh and demanding environments
- Allows up to 200 hours of non-stop operation and minimizes downtime and cost by eliminating need for replacement batteries
- Graphical software package makes setup and use a quick and easy process
- Shape and key placement facilitates comfortable one-handed operation



**OPERATIONAL**

<b>System</b>	
CPU	16-bit CMOS, low power consumption
Program Memory	2 MB flash ROM
Data Memory	2 MB SRAM (optional 4 MB or 8 MB)
Display	LCD - 100 x 64 pixels, back-lit
Resolution	8 lines x 20 characters (max), 4 lines x 15 characters (min)
Keypad	25 rubber keys; alpha/numeric, function, scanner (optional 39 keys)
Indicators	Buzzer - programmable audible indicator (1 KHz - 4KHz) LED - Dual-color, programmable green and red
Communication (Unit)	RS232, USB or Cradle IR
Communication (Cradle)	RS232, USB
Application Development	Windows-based Optimizer; optional C & BASIC compilers

**MECHANICAL**

Weight	140 g (4.9 oz) - including batteries
--------	--------------------------------------

**ELECTRICAL**

Battery Operation	Li-ion
Battery Backup	3.0V, 7.0mA hours, rechargeable lithium battery
Operation	Over 200 hours
EMC regulation	FCC Class A, CE and C-Tick approved

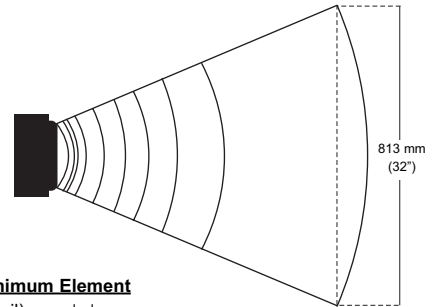
**ENVIRONMENTAL**

Operating Temperature	0°C to 50°C (32°F to 122°F)
Storage Temperature	-30°C to 60°C (-22°F to 140°F)
Humidity	5% to 95% relative humidity, non-condensing
Shock resistance	1.2 m (4') drop onto concrete

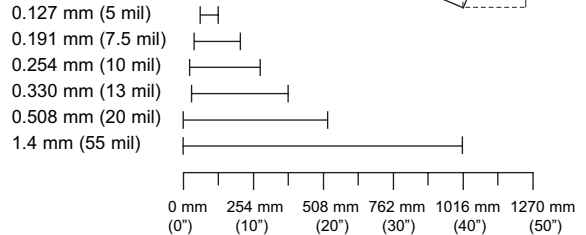
**SCAN PERFORMANCE**

<b>Laser Scanner</b>	
Visible Laser Diode	650 nm
Minimum Bar Width	0.127 mm (5.0 mil)
Width of Scan Field	305 mm (12") @ 381 mm (15")
Depth of Scan Field	51 mm - 381 mm (2" - 15") for 0.33 mm (13 mil) bar codes
Scan Speed	42 scan lines per second
Print Contrast	35% minimum reflective difference

**Scan Area**



**Bar Code Minimum Element**



Product Colors Available



Optimus is available in a variety of other colors with minimum quantity purchase



Sunrise 2005 Compliant



www.metrologic.com  
**ISO 9001:2000**

Metrologic Instruments, Inc. | **Worldwide Headquarters**  
90 Coles Road | Blackwood, NJ 08012-4683 | info@metrologic.com  
Telephone 856-228-8100 | Fax 856-228-6673

<b>Asian Headquarters</b> Tel. 65.6842.7155 info@sg.metrologic.com	<b>European Headquarters</b> Tel. 49.89.89019.0 info@eu.metrologic.com	<b>The Americas Headquarters</b> Tel. 1.800.ID.METRO info@us.metrologic.com
--	--	---

Specifications subject to change without notice.  
Printed U.S.A., Copyright May 2006  
Metrologic, All rights reserved.



DS5600