

BHT-1281QULWB-CE specification

		UHF band RF tag handy terminal		
		1W high-power type		
Model		BHT-1281QULWB-CE		
OS		Windows Embedded CE 6.0 R3		
CPU		ARM Cortex-A8 800 MHz		
Memory	RAM	Mobile DDR 512 MB		
	Flash ROM	2.0 GB		
Display	Number of Dots*	3.5 inch HVGA (320 x 480 dots)		
	Display system	Liquid crystal dot matrix display (color)		
	Back light	White LED		
RFID	Readable and recordable RF tag	ISO/IEC18000-63 (Class1 Gen2)-supported tag		
	Frequency	USA/CANADA	902~928 MHz	
		Taiwan	922~928 MHz	
		Thailand/Hong Kong	920~925 MHz	
	Channel width number of channels	USA/CANADA	500 kHz/50 ch	
		Taiwan	500 kHz/12 ch	
		Thailand/Hong Kong	500 kHz/10 ch	
	Transmission output	USA/CANADA	1 W or less	
		Taiwan	1 W or less (0.4 W <sup>2</sup> )	
		Thailand/Hong Kong	1 W or less	
	Modulation method	PR-ASK		
	Transmission rate	40 kbps		
	Scanning distance <sup>3</sup>	Approx. 5 m		
Output adjustment	20 levels			
Scanner	Reading system	Area sensor		
	Readable codes	2D codes	QR Code, micro QR Code, SQRC, iQR, PDF417, micro PDF417, MaxiCode, DataMatrix (ECC200), GS1 Composite	
		1D codes	EAN-13/8 (JAN-13/8), UPC-A/E, UPC/EAN (Add-on embedded), Interleaved 2 of 5, Codabar (NW-7), CODE39, CODE93, CODE128, GS1-128 (EAN-128), GS1 DataBar (RSS)	
	Minimum resolution	2D codes	0.167 mm	
		1D codes	0.125 mm	
	Marker	Area guide marker		
	Scan confirmation	Visual (2 color LED), acoustic (signal sound) and haptic (vibration)		
	Keypad	Number of keys	31 keys (including the power key) + 4 trigger keys	
	Network	Wireless LAN	Compatible standards	Comply with IEEE802.11b/g/n
			Frequency band	IEEE802.11b/g/n: (2.4 GHz)
Transmission distance <sup>4</sup>			IEEE802.11b/g/n (indoor: about 150m, outdoor: about 300m)	
Transmission speed <sup>4</sup>			IEEE802.11b:11/5.5/2/1Mbps, IEEE802.11g:54/48/36/24/18/12/9/6Mbps, IEEE802.11n:65/58.5/52/39/26/19.5/13/6.5Mbps	
Security	WEP40,128, WPA-PSK (TKIP, AES), WPA2-PSK (TKIP, AES), WPA-1x (TKIP, AES/EAP-TLS, PEAP, LEAP/EAP-FAST), WPA2-1x (TKIP, AES/EAP-TLS, PEAP, LEAP/EAP-FAST), 802.1x (EAP-TLS, PEAP, LEAP/EAP-FAST)			
Bluetooth	Bluetooth Ver2.0 + EDR based class 2			
Card slot	MicroSDHC*1 slot			
Power supply	Main battery	Lithium ion battery*2		
	Operating time <sup>5</sup>	RF tag continuous scanning <sup>6</sup>	Approx. 8 hours	
	Wireless LAN communication <sup>7</sup>	Approx. 60 hours		
Additional functions	Clock, speaker, vibration, battery voltage indicator, key back light, G-sensor			
Environmental requirements	Operating temperature <sup>8</sup>	-20~40°C		
	Protection rating	IP54		
	Drop resistance <sup>9</sup>	1.2 m drop on concrete floor, 5 times each on all 6 side (test result after a total of 30 drops)		
Weight (incl. stylus pen and battery)	Approx. 570 g			

\* 1: The LCD panel is manufactured using high-precision technologies. While the effective pixel count is more than 99.99%, please be aware that there may be up to 0.01% of dead or stuck-on pixels. \* 2: The value of measurement by certification authority. \* 3: Evaluation condition = Avery Dennison AD-2376. The measurement assumes that the battery is fully charged in our laboratory environment. The scan distance shown is a reference value, and it may vary accordingly, depending on the actual environmental conditions. \* 4: Network range and transmission speed are logical variables, and these may vary accordingly, depending on the actual environmental conditions. \* 5: Operating times shown are reference values at room temperature, and these may vary depending on working conditions. \* 6: When 50 RF tags are scanned simultaneously with the back light at Low level, the vibrator will be disabled and the speaker enabled. \* 7: RF tag scanning : wireless communication: screen update : standby = 1:1:1:20. The back light is at Low level, the vibrator and buzzer are disabled and the power save mode is ON (FastPSP), and the wireless function is enabled only when the terminal is connected to the wireless network; the wireless function is disabled otherwise. \* 8: Zero to 40°C when batteries are being recharged. \* 9: This is a test value, not a guaranteed value.

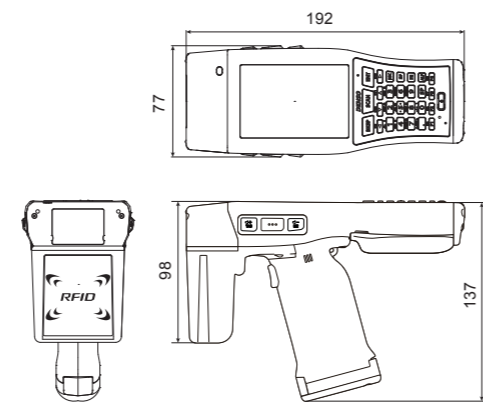
Option (sold separately)

- Communication Unit, which performs data communication with the BHT communication unit and the up-level device
- CU-1233 (RS-232C/USB communication + main body charging + reserve battery charging)
- CU-1211 (Ethernet communication + main body charging + reserve battery charging)

	CU-1233	CU-1211
Communication mode	RS-232/USB2.0 Full speed conformant	Ethernet (100BASE-T)
Charging time (main body)	High-capacity battery: approx. 9 hours (two batteries are charged simultaneously)	
Reserve charging	High-capacity battery: approx. 4.5 hours	
Size	133(D)×97(W)×101(H)	
Working voltage	AC adapter (AD3-1012/3000-02)* * The AC adapter is an option.	

- Communication Cable
- CBBHT-US1800/C12-4A
- \* The BHT-1281QULWB-CE can be charged by connecting it to a USB charger. When charging the BHT-1281QULWB-CE, use a device that satisfies the following output and USB charging specifications. Output specifications: (voltage) DC5.0, 2.5/(current) 1.2A or higher USB charging specifications: Battery Charging Specification Rev. 1.2
- Battery
- BT-110L (High-capacity battery only)
- BT-120L-C (High-capacity battery + battery cover)
- Charger
- CH-1104 (Four-battery charger)
- CH-1254 (Four-device charger)
- Waist Case
- WHBHT-1281QULWB-CE
- Hand Strap
- SPBHT-1200QU

Dimensions Unit: mm (for reference only)



Software (Sold separately)

- Development Tool
- Software Development Kit (SDK) for BHT Windows® CE\* [HP](#)
- \* This software application is available free of charge from the site to customers who have purchased BHT Windows.
- Preinstalled Software
- Keyboard interface software [kbifCE]\*
- \* This software application is pre-installed on the system.

[HP](#) Items with this mark are available from the company's homepage (Qbdirect) free of charge.

The set includes

- Device
- Stylus pen
- Operation guide
- Instruction manual [HP](#)

**BHT-1281 QULWB-CE**

**Blitz scanning**

— Instant long range scanning of tags —



Full size Conceptual image

For more information, please visit our website <http://www.denso-wave.com/en/adcd/>



\*Appearance and specifications are subject to change without prior notice. \*Description stated in this catalogue is as of July, 2016.

Offers good products for a long time. DENSO WAVE supplies products stably for a long time. DENSO WAVE promises to continue maintenance service for 5 years after product's sales end.

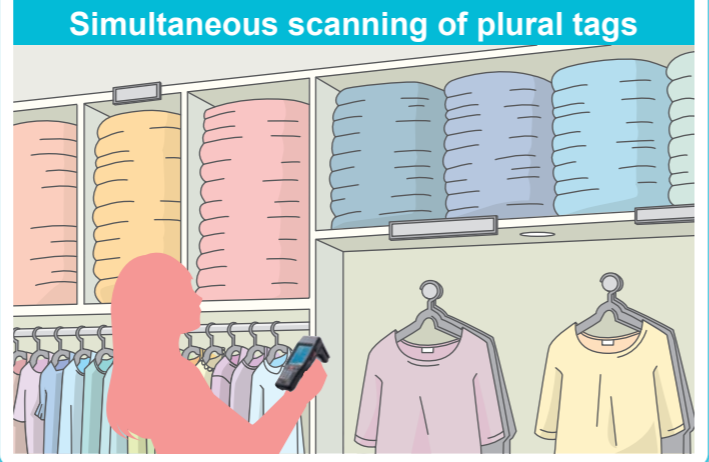
GLOBAL PRODUCTS 1 YEAR WARRANTY

# The Evolution of making inventory



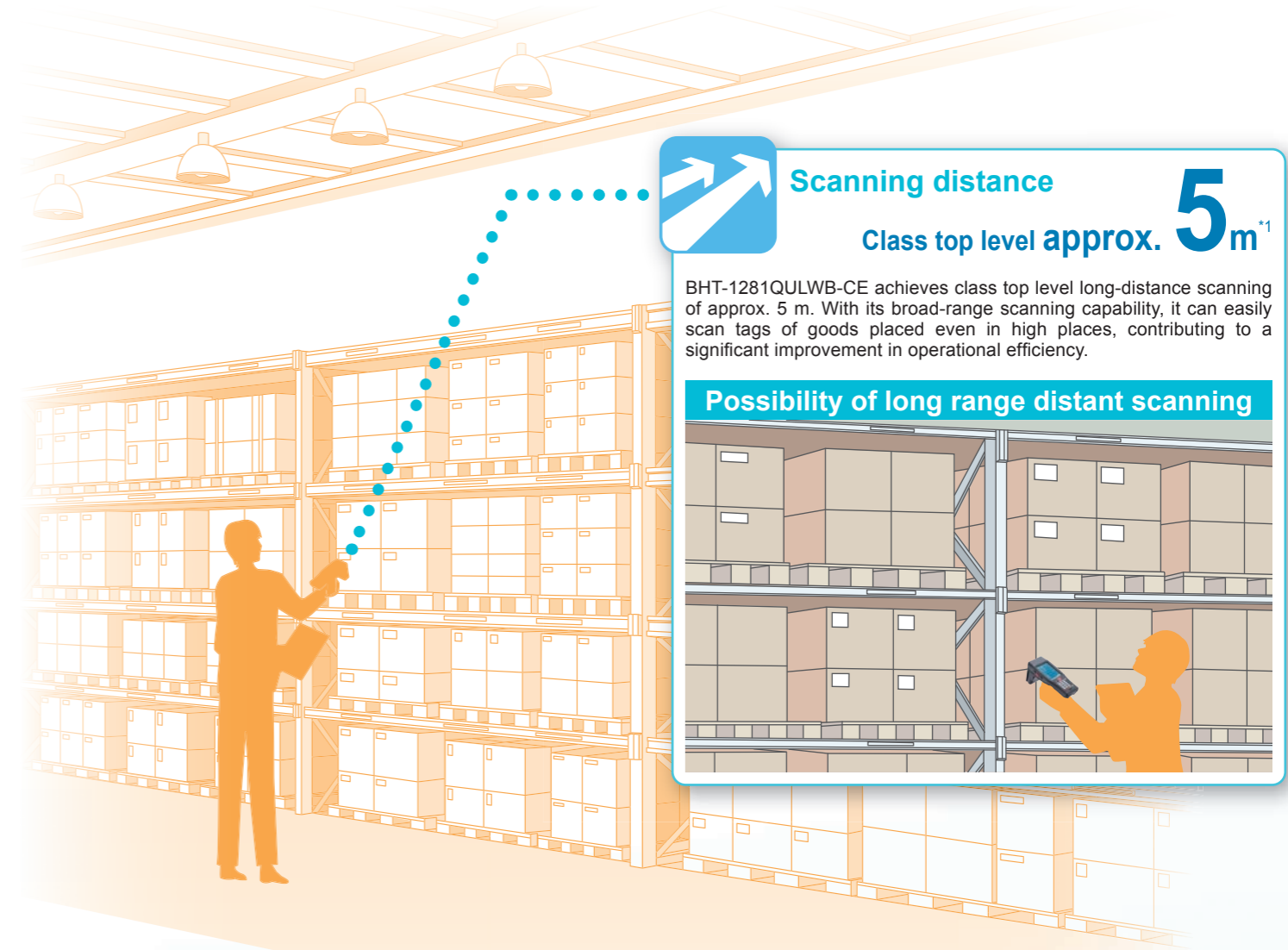
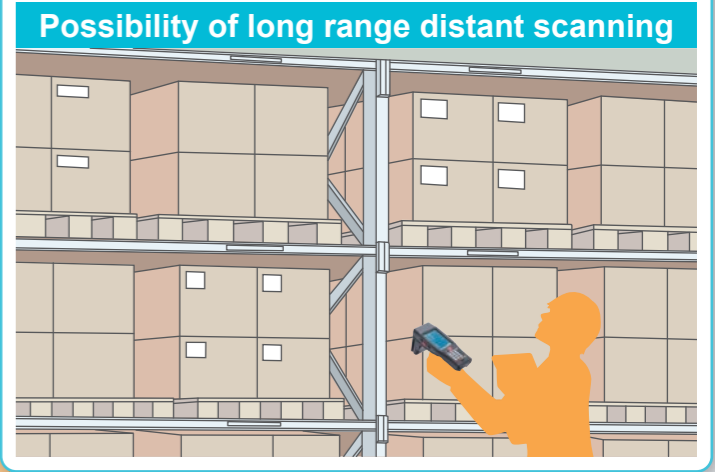
**Scanning speed**  
Working hours reduced by **90% or more** (compared to use of bar codes)

BHT-1281QULWB-CE is a high-powered handy terminal with an overwhelmingly high scanning speed. It can scan more than one tag simultaneously, and accordingly, the work can be completed in a short time. Furthermore, the circular polarized antenna enables 360° scanning and scanning of tags facing in different directions.



**Scanning distance**  
Class top level approx. **5m<sup>\*1</sup>**

BHT-1281QULWB-CE achieves class top level long-distance scanning of approx. 5 m. With its broad-range scanning capability, it can easily scan tags of goods placed even in high places, contributing to a significant improvement in operational efficiency.



## Overwhelming scanning performance and usability

—Outstanding operational and user-friendly product—



### Easy to grip

BHT-1281QULWB-CE has an easy-to-grip, gun grip-like handle that enables users to easily aim at tags in high places. Furthermore, its light body doesn't tire users during long periods of use.



### Superior power-saving

The unique power-saving design enables class top level long-time operation of approximately 60 hours<sup>\*2</sup> when the wireless function is enabled as needed, and approximately 8 hours<sup>\*3</sup> even when RF tags are scanned continuously.



### Drop resistance

Even though BHT-1281QULWB-CE has a gun grip-like handle, it achieves a drop resistance of 1.2 m x 30 times (above a concrete floor). If you drop it, you won't have to worry.



### Large screen

BHT-1281QULWB-CE has a 3.5-inch HVGA color liquid crystal display, enabling the clear display of a great deal of information simultaneously on the large screen.



### Fully-equipped basic functions

BHT-1281QULWB-CE can scan not only RF tags, but also QR codes and bar codes. Furthermore, it is equipped with everything necessary for smooth operations, including a touch panel, and wireless LAN and Bluetooth functions.



\*1: Evaluation condition = Avery Dennison AD-237f6. The scan distance shown is a reference value and it may vary accordingly, depending on the actual environmental conditions. \*2: RF tag scanning : wireless communication: screen update : standby = 1:1:1:20. The back light is at Low level, the vibrator and buzzer are disabled and the power save mode is ON (FastPSP), and the wireless function is enabled only when the terminal is connected to the wireless network; the wireless function is disabled otherwise. \*3: When 50 RF tags are scanned simultaneously with the back light at Low level, the vibrator is disabled and the speaker enabled.