

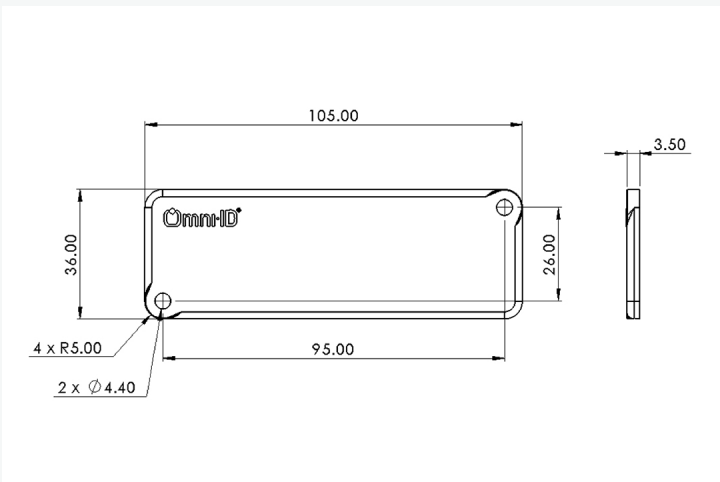
## [ Products ] you can identify with



### Physical Specifications

<b>Material</b>	ABS
<b>Size</b>	105 x 36 x 3.5 mm 4.1 x 1.4 x 0.14 in
<b>Weight (g)</b>	11.6
<b>Attachment</b>	Rivet / Scren (not supplied) or premium foam (option)

### Dimensions



Measurements shown in mm

## Exo 800P Rigid

Omni-ID Exo 800P Rigid is a low profile, medium range, durable RFID tag optimized for attachment to plastic assets. It's thin design is ideal for attachment with little protrusion. The tag's global frequency ensures functionality tracking mobile assets worldwide.

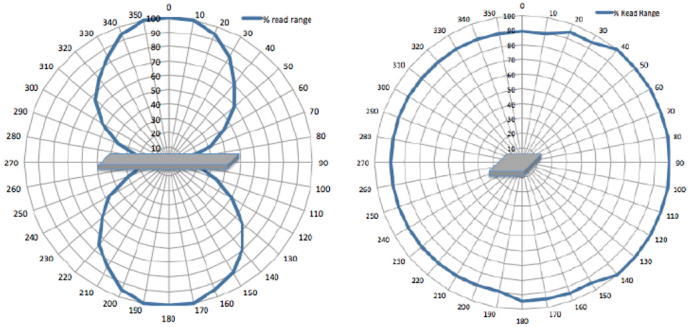
### RF Specification

<b>Frequency Range</b>	860 - 930 (GS)
<b>Read Range</b>	Up to 8m (on plastic)
<b>On Metal or Balanced</b>	Optimized for plastic containers
<b>IC Type (Chip)</b>	Alien Higgs 3
<b>Memory</b>	EPC - 96 bits User - 512 bits Unique TID - 64 bits

EPC and User memory are reprogrammable. UTID is locked at point of manufacture by IC manufacturer.

### Radiation Patterns

#### On Plastic



## [ Products ] you can identify with



The Omni-ID Exo 800P Rigid tag is ideally suited to yard management and logistics applications in:

- Plastic RTIs and containers
- Plastic pallets
- Non-metallic industrial assets

### Environmental Specifications

<b>Operating Temperature</b>	-20°C to +85°C
<b>Survivability</b>	-20°C to +85°C
<b>IP Rating</b>	IP68
<b>Shock &amp; Vibration Tolerance</b>	MIL-STD-810 G

### Ordering Information

<b>Warranty</b>	1 year
<b>Product Options</b>	:303 (Customization) :508 (Premium foam) :701 (Standard Service Bureau)
<b>Part Number / Order Codes / Order Numbers</b>	104 - GS

### Certifications

CE, RoHS



For product or technology inquiries email: [sales@omni-id.com](mailto:sales@omni-id.com).  
Visit [omni-id.com](http://omni-id.com) to learn more about the complete line of **Omni-ID RFID** products