

A776 Two-Color Hybrid Receipt/Slip Printer



POS Hybrid Printers

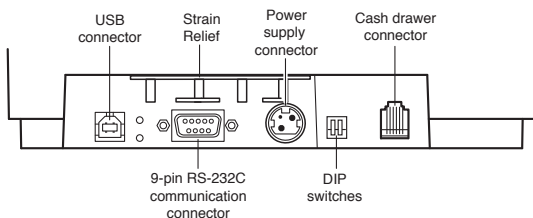
A776

Fast and reliable multifunction POS printer.

Designed with over thirty years of retail POS experience, the A776 printer provides fast printing, quiet operation, and outstanding reliability in a small footprint. It features CognitiveTPG's exclusive intelligent power management system to minimize electricity consumption and extend print head life. The A776 meets every retailer's needs to print receipts, validate checks (with MICR printer), and print on single or multi-ply forms such as coupons, returns, credits, and service tickets.

- Fast (250 mm/sec) thermal receipt printing on monochrome
- Easy to read text and sharp graphics with 203 dpi thermal printing

- Impact print station supports front insertion slip printing and drop-in slip validation
- Multiple communication interfaces available, including Powered USB
- Quality guaranteed with a two-year factory warranty and extended warranty options
- Marketing and branding opportunities with our free ReceiptWare™ marketing software
- Available with optional MICR reader for 99% accurate read rates



RS232 Serial and USB Interface Shown Above

A776

Fast and Reliable Multifunction POS Printer

Develop Marketing and Security for Added Revenue

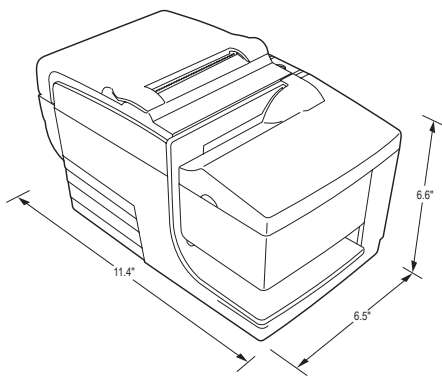
For product promotions and holiday specials, the A776 printer with ReceiptWare™ can print logos, coupons, and other “attention grabbing” features on monochrome or two-color thermal paper. For security against fraud, the A776 can also print receipts with watermarks.

Multifunctional Printer

The A776 Hybrid printer delivers fast and reliable receipt printing for reduced transaction time and superior customer service. The paper low indicator alerts operators to replace the receipt roll before it interrupts a transaction. The ergonomic impact print station utilizes form-in and alignment sensors to quickly locate checks and slips for printing. To endorse a check, the operator only needs to insert check once to read MICR with over 99% accuracy (requires printer with MICR option).

Maintenance-Free

The A776 requires no scheduled maintenance for years of trouble-free service. The receipt printer uses commonly available thermal paper rolls and features easy drop-in paper replacement. In the slip printer, changing printer ribbons is a snap with our “clean fingers” ribbon cassette.



Technical Specifications

	Receipt Station	Slip Station
Print Method	Direct Thermal, 203 DPI	9-Pin Impact
Character Cell Size	13 X 24, 10 X 24	7 X 7, 12 X 7, 5 X 9
CPI	15, 6, 20.3	13.9 & 16.8
Print Columns	44 & 56	42 & 51
Print Line Width	2.8 in. (72 mm)	3.02 in. (76.8 mm)
Character Sets	Resident Code Pages 437, 737, 850, 852, 857, 858, 860, 862, 863, 865, 866, 1251, 1252, and 1255	
Bar Codes	UPC-A, UPC-E, JAN8, JAN13 (EAN), Code 39, Code 93 Interleaved 2 of 5, Codabar, Code 128, Code 128 extended, EAN 128, RSS, QR, PDF-417	
Printing Speed	Monochrome 70.4 LPS (250 mm/sec) 4.8 LPS (16 mm/sec) Two-color 27 LPS (100 mm/sec)	
Auto Cutter	Partial Cut	
Emulations Available	Application compatible escape commands, TPG A756/A758, ColorPOS	
Data Buffer	8K	
User Memory	Up to 2 MB: shared for graphics, logos, user defined characters and user data storage	
Communication	Dual 9-pin RS-232/USB, 25-pin RS-232, Ethernet, and Powered USB	
MICR Reader:		
Character sets/fonts	E-13B and CMC-7, auto discriminate (Integrated in slip station)	
Check Read Rate	99% minimum	
Parsing Formats	E-13B only. Programmable to any format	
Thermal Paper Requirements:		
Paper Type	Direct Thermal, POS Grade(s), Kanzaki P320 color paper	
Paper Roll (W X Dia.)	3.15 in. X 3.27 in. (80 mm X 83 mm)	
Impact Slip Forms:		
Size	2.75 in. X 5.00 in. (69.85 mm x 127.00 mm) minimum front & side	
Max. Form Length	11.00 in. (279.4 mm)	
Number of Plies	1 - 4 ply multipart	
Paper Thickness	0.014 in. maximum (0.35 mm)	
Power	24 VDC	
Certifications	EMC emissions: EN55022:1998 Class B ITE emission requirements (EU); FCC 47 CFR Part 15, Class B emissions requirements (USA), VCCI Class B ITE emissions requirements (Japan); AS/NZS 3548:2002/CISPR22 Class B ITE emission requirements (Australia); EMC Immunity: EN55024:1998/A1:2001 Information technology equipment (EU)	
Reliability	Thermal Print Mechanism - 216 KM paper (64 M lines) monochrome, 216 KM two-color (57 M lines), Auto Knife Cutter - 2 M cuts, Impact Print Mechanism - 15 M lines, Impact Printhead - 200 M characters, MICR reader - 200,000 Reads	
Dimensions (W X D X H)	6.5 in. X 11.4 in. X 6.6 in. (165.10 mm X 289.56 mm X 167.64 mm)	
Weight	8 lbs. printer only. 13 lbs. w/carton, pads, and included accessories	
Options	MICR Reader	
Printer Drivers	OPOS for Windows XP, & Vista, JPOS for Linux & Windows, Windows Mini Drivers for XP, Vista, & 7, Native USB Driver, RS-232 Emulation Driver for USB	

CognitiveTPG, LLC

950 Danby Road, Suite 200, Ithaca, NY 14850
Toll Free: 800.732.8950 Phone: 607.274.2500 Fax: 607.274.2449
www.CognitiveTPG.com
Copyright 2012 CognitiveTPG. All Rights Reserved.

COGNITIVE TPG